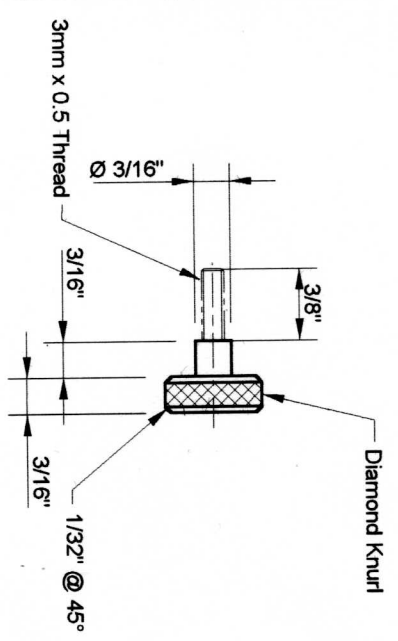


11 Adjusting Slide Thumb Screw

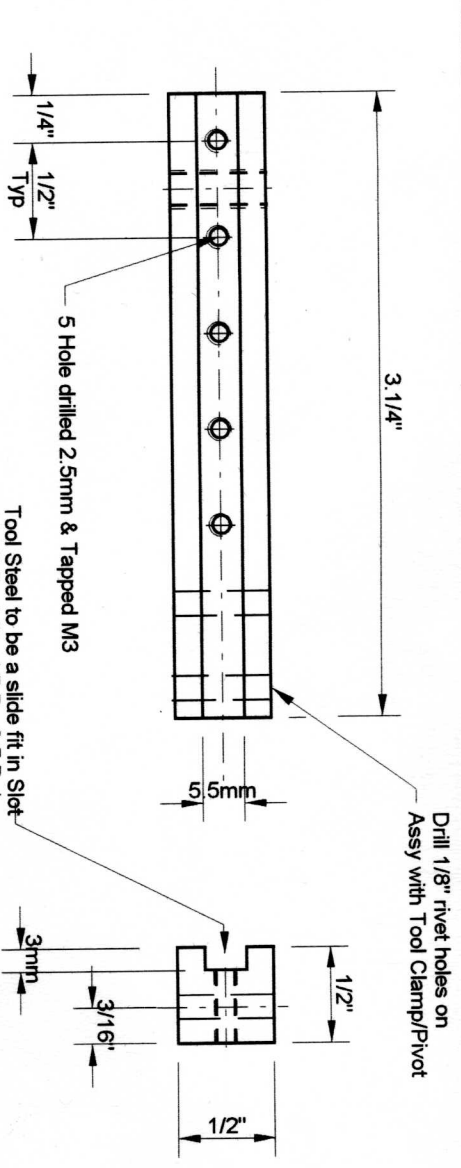
Material:- Brass 1 off Reqd.



12 Tool Stop Plate Thumb Screw

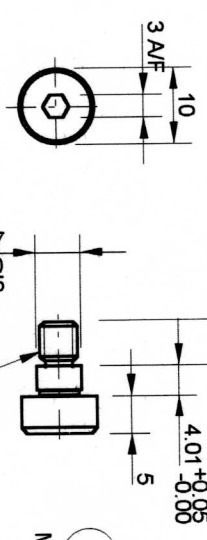
Material:- Brass 1 off Reqd.

Member of The Society of Ornamental Turners.



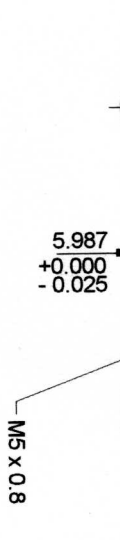
9 Tool Holder

Material:- Mild Steel 1 off Reqd.



10 Adjusting Slide Pivot Screw

Material:- Stainless Steel Hex Socket Screw



Material:- Mild Steel 1 off Reqd.

Title
Goneostat Details

Drawing No	Imp	Sheet No	Issue
018/4		4	A
Third Angle Projection	Drawn M Falls	Date	23/01/02
Scale 1:1	File GONEV4.dwg		